

SCHEMATIC
SHAFT VIEW

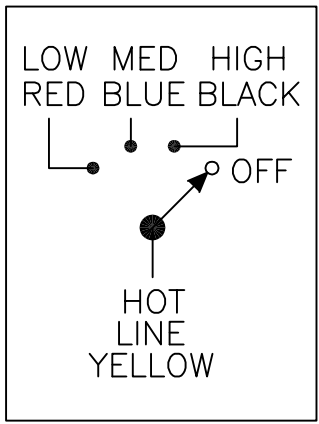
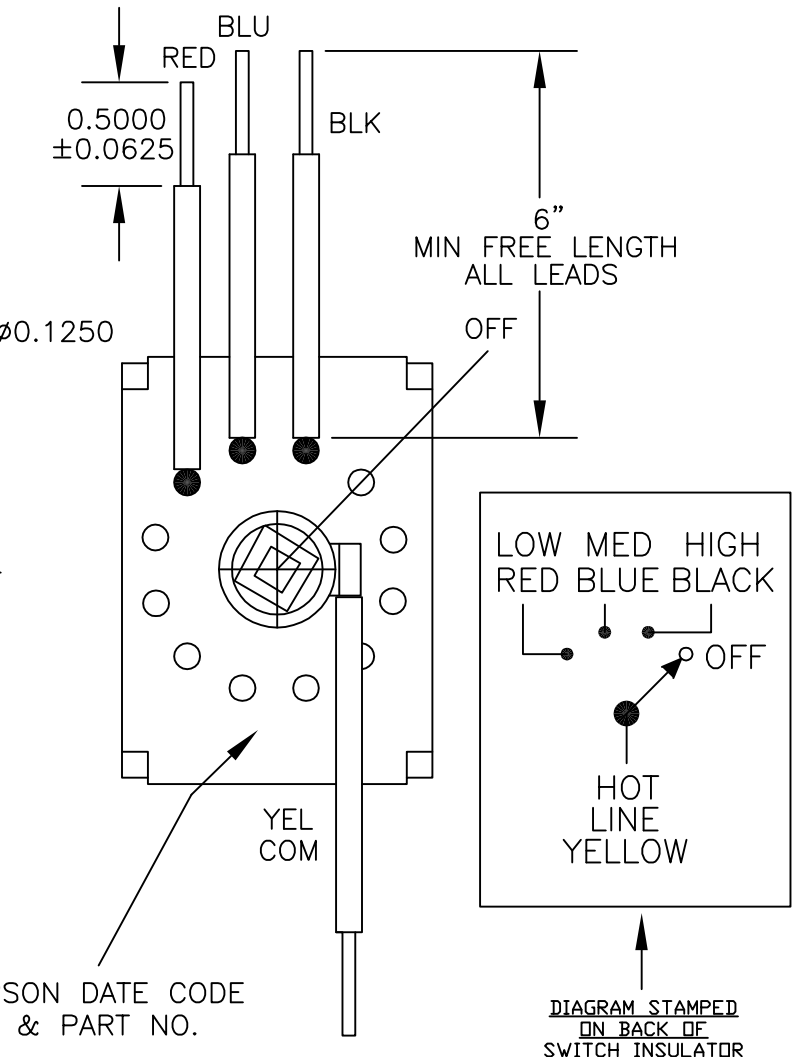
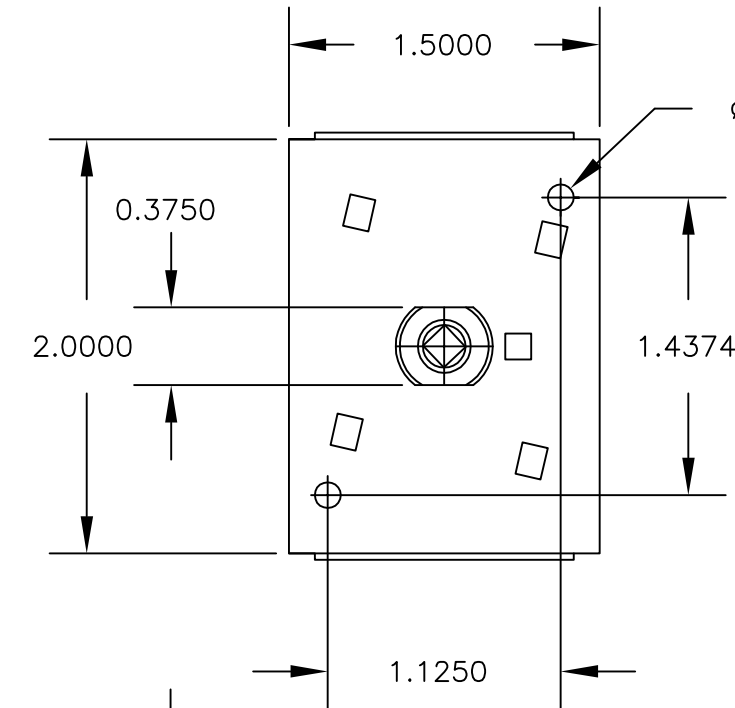
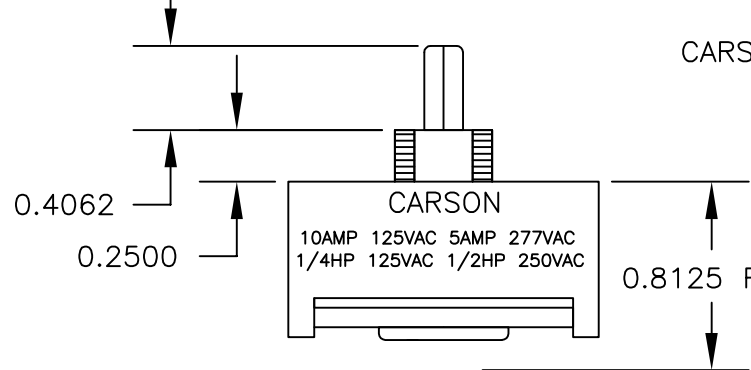


DIAGRAM STAMPED
ON BACK OF
SWITCH INSULATOR



CARSON DATE CODE
& PART NO.

- NOTES:
1. SWITCH: 3 SPEED & OFF.
 2. HEX NUT & INSULATOR ATTACHED.
 3. SWITCHES BULK PACKED.
 4. LEAD WIRE: #16AWG STR. COP. 1/32 WALL 105° C THERMOPL. INSULATION.

CARSON MANUFACTURING CO., INC.

5451 N. RURAL STREET INDIANAPOLIS, INDIANA 46220

DR *JHC* 05-24-94 CK AP *WHC* 01-24-11

SWITCH

CARSON MANUFACTURING

3A254

REV.
C