

TECHNICAL BULLETIN

SUBJECT: SC-407-10 Default Polarity for Auxiliary and Cutout Inputs
BULLETIN #: 0345 Rev.A
RELEASED: 01-28-04
UNIT S/N: All
MODULE S/N: N/A

The SC-407-10 siren Auxiliary and Cutout inputs have been changed. The default activation polarity for Auxiliary and Cutout inputs is now positive (+VDC). On the previous version siren the default activation polarity is negative (-VDC or GND).

10-Pin connector
on rear of unit.

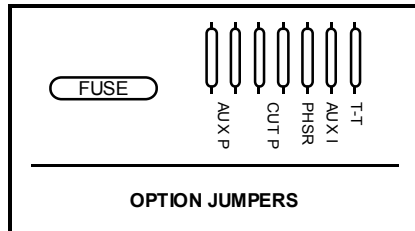
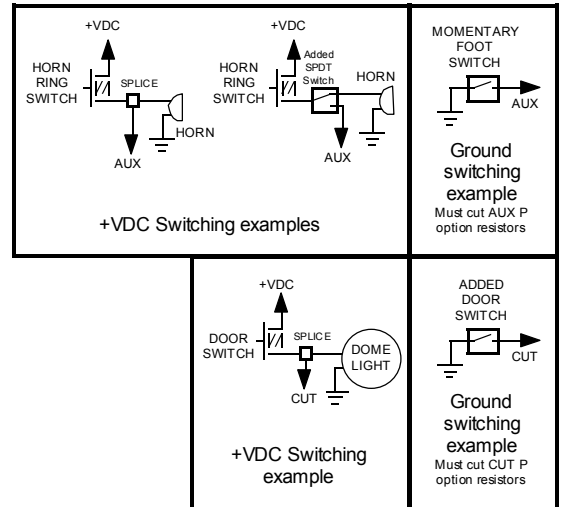


AUX ↑
CUT ↑

Use appropriate Installation Manual as described below.

VERSION B SIRENS start with serial number 04000000. The siren is also labeled "VERSION B" near the serial number label. Default activation polarity for Auxiliary and Cutout inputs is positive. **Appropriate installation manual is CP4842B or higher.**

For negative activation, the appropriate "AUX P" or "CUT P" option resistors must be cut. (See installation manual).



VERSION A SIRENS are serial number range 01000000 to 03529999. Default activation polarity for Auxiliary and Cutout inputs is negative. **Appropriate installation manual is CP4842A or TB0346.**

